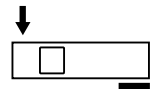


# LOAD CELL

## LBB200 Explosion Proof Version, Ex nA IIB-T4

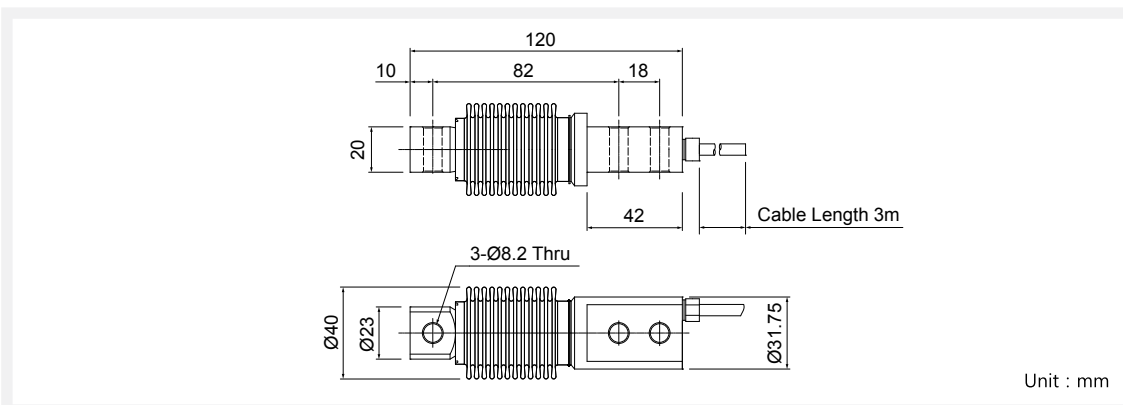
Bending Beam Load Cell 20kgf ~ 500kgf



### Feature

- All Stainless Steel Construction
- Protection Class IP67
- Braided Shield 4-Wire Round Cable
- Explosion Proof function Addable

Rated Capacity (R.C)	kgf / tf	20, 50, 100, 200, 500kgf
Rated Output (R.O)	mV/V	2.0 ± 0.005
Zero Balance	mV/V	0 ± 0.2
Combined Error	%	0.03
Repeatability	%	0.01
Creep (30min)	%	0.03
Temperature Effect on		
Zero Value	% / 10°C	0.028
Output Value	% / 10°C	0.015
Excitation		
Recommended	V	10
Maximum	V	15
Resistance		
Input	Ω	400 ± 50
Output	Ω	350 ± 3.5
Insulation	MΩ	> 2,000
Compensated Temp Range	°C	-10 ~ +40
Operaing Temp Range	°C	-20 ~ +70



CABLE COLOR CODE	
EXC +	(RED)
EXC -	(WHITE)
SIG +	(GREEN)
SIG -	(BLUE, BLACK)
SHLD	(YELLOW)

PRODUCT

SPECIFICATION

DIMENSION